



METEOROLOGICAL EQUIPMENT

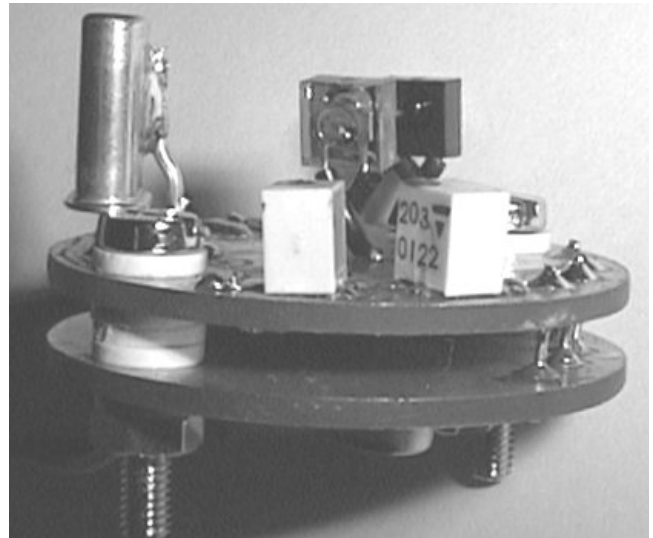
ED-260-I F/I Transmitter

FEATURES

- 0.1 - 100 Hz measurement.
- 4-20 mA Two-Wire Transmitter.
- Resolution better than 0.1 Hz.
- No moving parts.
- Wide Supply Range.
- Suits inside the ED Cup-Anemometer.

APPLICATIONS

- Wind Speed Measurement Systems with few components.
- Easy Interfacing with Industrial PLC- and CTS-Systems.



TECHNICAL DESCRIPTION:

The ED-260-I Transmitter Module measures the time-period used for the anemometers shutter to complete one cycle.

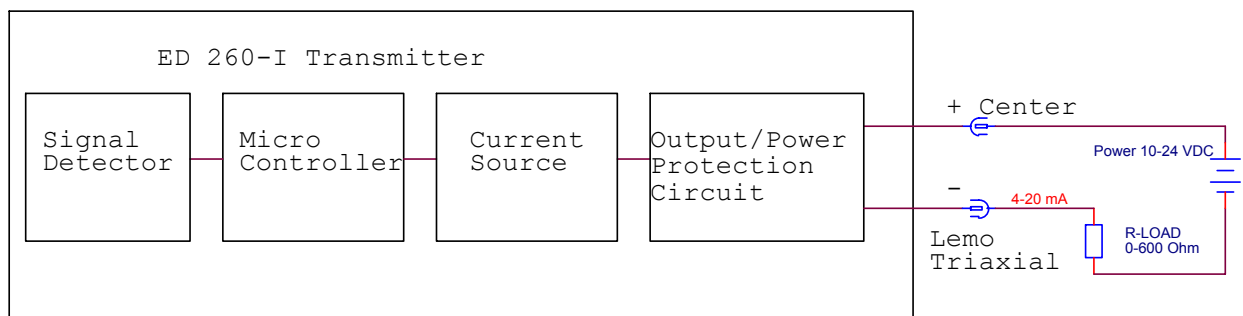
The period of time used by the shutter is converted by a micro controller into an analogue output level.

To generate a smooth output-signal the ED 260-I calculates the output-value using eight samples of the input-frequency.

The time-conversion used by the micro controller offers a resolution of the input-frequency of 1 MHz.

The current-output is generated by an accurate 12 bit D/A-converter controlling a high-performance current-source.

The output circuit is pre-calibrated for deviation in offset and gain for high accuracy and easy use.



TECHNICAL SPECIFICATIONS FOR ED-260-I F/I CONVERTER.

Measuring Range :

0.1 - 100.0 Hz. (or user-defined)

Linearity :

± 0.5 LSB.

Output Signal :

4-20 mA ± 0.1%

Load Resistance 0-600Ω

Power Supply :

10-24 VDC ± 10%.

Max. 20 mA. (Full-Scale load)

Internal Voltage Drop: 9VDC

Operating Temperature :

-30 to +60°C

Temperature Stability:

± 0.2 %

Electrical Connections

Terminal +: +24VDC.

Terminal -: GND.

Mechanical Specifications :

Height 30 mm.

Diameter 33 mm.

Weight 15 g.

Options (By order) :

Measuring Range :

1: 0.1-100 Hz.

2: User defined: 0.1-_____Hz

EU Declaration of Conformity :

EN61000-6-3 Emission.

EN61000-6-2 Immunity.

Warranty :

One Year against faulty materials
or workmanship.

Maintenance

None.

Serial no.: _____

Options: _____

Date: _____

Sign: _____