

HOBO® Pendant  
Temperature/Light Data Logger  
(Part # UA-002-XX)

Inside this package:

- HOBO Pendant  
Temperature/Light Data  
Logger

Doc # 9556-F, MAN-UA-002  
Onset Computer Corporation




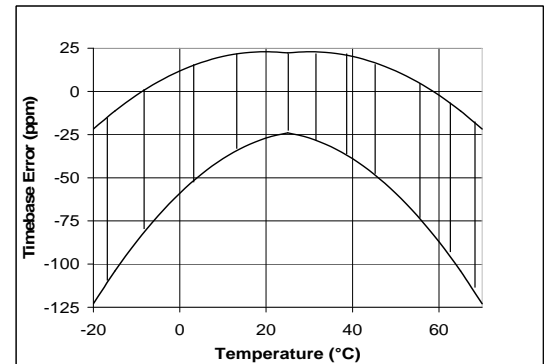
Thank you for purchasing a HOBO data logger. With proper care, it will give you years of accurate and reliable measurements.

The HOBO Pendant Temperature/Light Data Logger is a waterproof, two-channel logger with 10-bit resolution and can record up to approximately 3,500 (8K model) or 28,000 (64K model) combined temperature and light readings or internal logger events. The logger uses a coupler and optical base station with USB interface for launching and data readout by a computer.

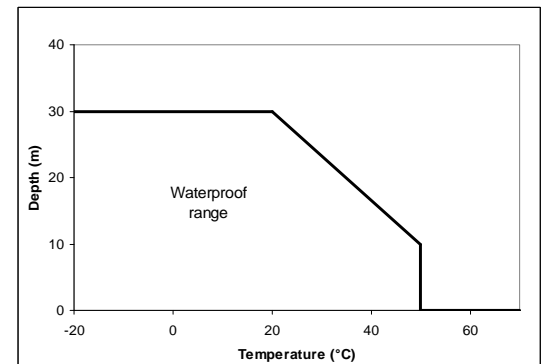
A base station, coupler, and HOBOWare® software are required for logger operation. Visit [www.onsetcomp.com](http://www.onsetcomp.com) for compatibility information.

**Specifications**

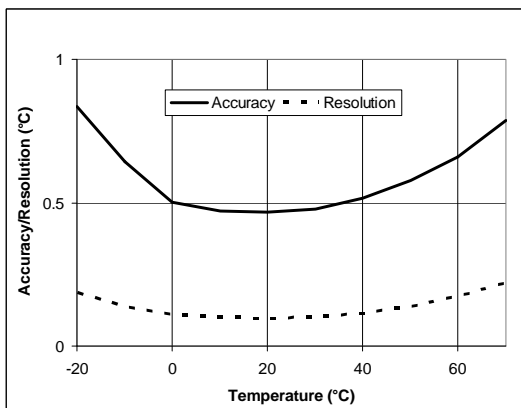
Measurement range	Temperature: -20° to 70°C (-4° to 158°F) Light: 0 to 320,000 lux (0 to 30,000 lumens/ft <sup>2</sup> )
Accuracy	Temperature: ± 0.47°C at 25°C (± 0.85°F at 77°F), see Plot A Light intensity: Designed for measurement of relative light levels, see Plot D for light wavelength response
Resolution	Temperature: 0.10°C at 25°C (0.18°F at 77°F), see Plot A
Drift	Less than 0.1°C/year (0.2°F/year)
Response time	Airflow of 2 m/s (4.4 mph): 10 minutes, typical to 90% Water: 5 minutes, typical to 90%
Time accuracy	± 1 minute per month at 25°C (77°F), see Plot B
Operating range	In water/ice: -20° to 50°C (-4° to 122°F) In air: -20° to 70°C (-4° to 158°F)
Water depth rating	30 m from -20° to 20°C (100 ft from -4° to 68°F), see Plot C
NIST traceable certification	Available for temperature only at additional charge; temperature range -20° to 70°C (-4° to 158°F)
Battery life	1 year typical use
Memory	UA-002-08: 8K bytes (approximately 3.5K combined temperature and light readings or events) UA-002-64: 64K bytes (approximately 28K combined temperature and light readings or events)
Materials	Polypropylene case; stainless steel screws; Buna-N o-ring
Weight	18 g (0.6 oz)
Dimensions	58 x 33 x 23 mm (2.3 x 1.3 x 0.9 inches)
	The CE Marking identifies this product as complying with the relevant directives in the European Union (EU).



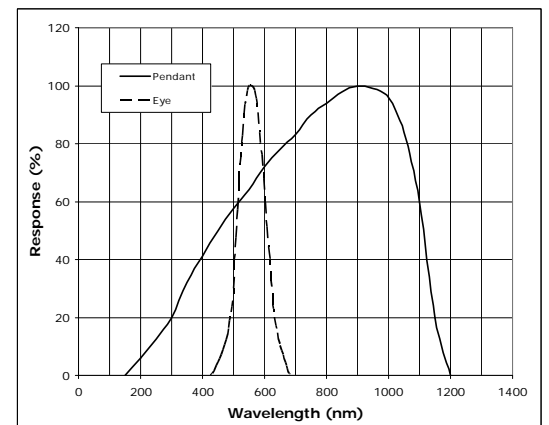
Plot B



Plot C



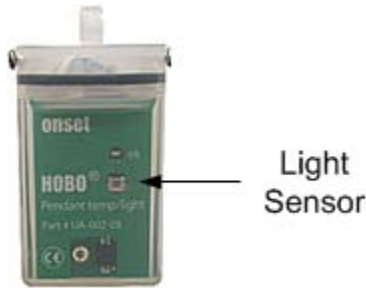
Plot A



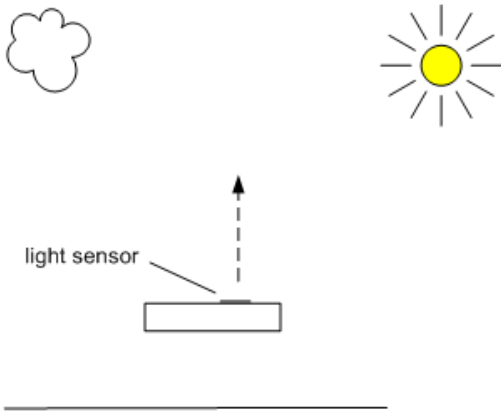
Plot D

**Deployment/Mounting**

The Light Sensor response is roughly cosine dependent with the angle from vertical. Therefore, whether outdoors or underwater, the logger must be mounted horizontally so that the sensor is pointing straight up towards the sky.



Attach the logger to a flat surface using glue, a tie, or a rubber band, making sure that the sensor is pointing up.



**Connecting the logger to a computer**

The HOBO Pendant logger requires either of the following to connect to the computer:

- Pendant Optic USB Base Station & Coupler (part # BASE-U-1); HOBOWare 2.1 or later

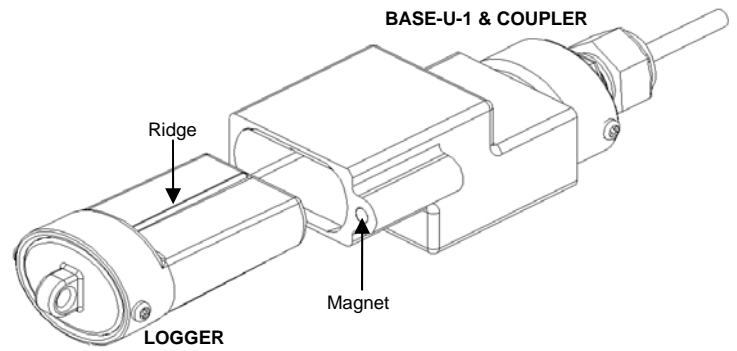
**OR**

- Optic USB Base Station (part # BASE-U-4) or HOBO Waterproof Shuttle (part # U-DTW-1); coupler (part # COUPLER2-A); HOBOWare 2.2 or later

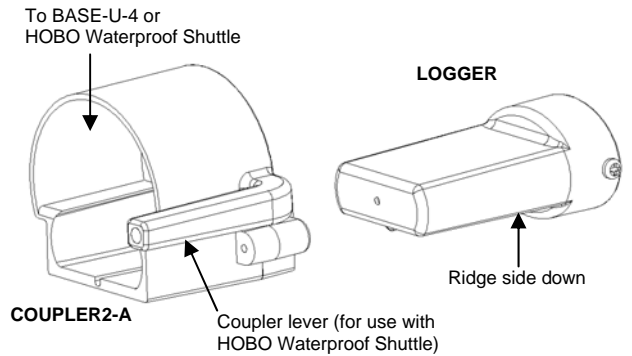
If possible, avoid connecting at temperatures below 0°C (32°F) or above 50°C (122°F).

1. Plug the USB connector on the base station into an available USB port on your computer.
2. Insert the logger and the base station into the coupler, as shown in the following diagrams.

For BASE-U-1, make sure that the logger is inserted in the end of the coupler that has the magnet, and that the ridges on the base station and logger are aligned with the grooves in the coupler.



For BASE-U-4 or the HOBO Waterproof Shuttle, firmly insert the optical end of the base station into the D-shaped end of the coupler, and make sure that the ridge on the logger is aligned with the groove in the coupler.



3. If you are using the HOBO Waterproof Shuttle, briefly press the coupler lever to put the shuttle into base station mode.
4. If the logger has never been connected to the computer before, it may take a few seconds for the new hardware to be detected.
5. Use the logger software to set up the alarms, launch, and read out the logger.

You can read out the logger or check its status while it continues to log, stop it manually with the software, or let it record data until the memory is full. Refer to the software user's guide for complete details on launching, reading out, and viewing data from the logger.

## Triggered start

This logger can be configured to start at your command, using the magnet in the coupler to trigger a start.

1. Use the logger software to launch the logger with Trigger Start selected. Remove the logger from the coupler.
2. Bring the logger and an empty coupler or strong magnet to the deployment location.

**Important: Any magnet can trigger a start. This can be helpful, but it can also cause a premature start. Keep the logger away from strong magnetic fields until you are ready to begin logging.**

3. When you are ready for the logger to start logging, insert the logger into the empty coupler (or place it next to a strong magnet) and remove it after three seconds. **Important: The logger will not launch if the base station is in the coupler.**
4. Verify that the logger's light is blinking at least every four seconds.

## Sample and event logging

The logger can record two types of data: samples and internal logger events. Samples are the measurements recorded at each logging interval (for example, temperature every minute). Events are independent occurrences triggered by a logger activity, such as Bad Battery or Host Connected. Events help you determine what was happening while the logger was logging.

## Operation

A light (LED) on the front of the logger confirms logger operation. The following table explains when the light blinks during logger operation.

When:	The light:
The logger is logging	Blinks once every one to four seconds (the shorter the logging interval, the faster the light blinks); blinks when logging a sample
The logger is awaiting a start because it was launched in Start At Interval, Delayed Start, or Trigger Start mode	Blinks once every eight seconds until logging begins

## Light measurement

The logger measures light intensity in units of lumens per square foot (US) or lux (SI). The light sensor in the Pendant logger measures a much broader spectrum of light wavelengths than are visible to the human eye. Plot D shows that the logger's response extends farther into ultraviolet and infrared wavelengths than the eye's response. This means the logger is useful for sensing wavelengths not visible to the eye, but it also may mean that the logger's readings will not correspond exactly to measurements made with a device having different spectral sensitivity. The light sensor is most useful for determining relative changes, rather than absolute values of intensity.

The logger has a very wide dynamic range of light sensitivity extending from complete darkness to somewhat beyond full daylight. The resolution steps are smaller at low light levels than at high light levels to allow useful measurements across this broad range of intensities. Intensity readings are maximum for light hitting the sensor directly on-axis and are reduced for light coming in at an angle. Readings can also be reduced by abrasions or dirt on the case above the light sensor.

## Protecting the logger

The logger can be damaged if the water depth rating is exceeded. The depth rating is approximately 30 m (100 ft) at temperatures below 20°C (68°F), but is less in warmer water. Refer to Plot C for details.

Do not store the logger in the coupler. Remove the logger from the coupler when you are not using it. When the logger is in the coupler or near a magnet, it consumes more power and will drain the battery prematurely.

Keep the logger away from magnets. Being near a magnet can cause false coupler events to be logged. It can also launch the logger prematurely if it was waiting for a trigger start.

**Note! Static electricity may cause the logger to stop logging.** To avoid electrostatic discharge, transport the logger in an anti-static bag, and ground yourself by touching an unpainted metal surface before handling the logger. For more information about electrostatic discharge, visit <http://www.onsetcomp.com/support/support.html>.

Periodically inspect the desiccant and dry it if it is not bright blue. The desiccant pack is located in the cap of the logger. To dry the desiccant, remove the desiccant pack from the cap and leave the pack in a warm, dry location until the bright blue color is restored. (Refer to the "Battery" section for instructions on removing and replacing the logger cap.)

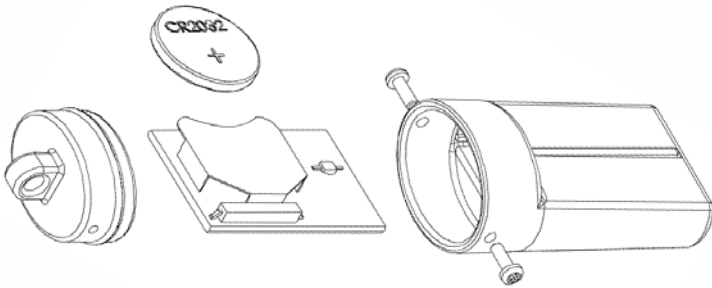
Temperature range	Desiccant maintenance schedule
Less than 30°C (86°F)	Approximately once per year
30° to 40°C (86° to 104°F)	Approximately every six months
Over 40°C (104°F)	Approximately every three months

## **Battery**

The logger requires one 3-Volt CR-2032 lithium battery. Battery life varies based on the temperature and the frequency at which the logger is recording data (the logging interval). A new battery typically lasts one year with logging intervals greater than one minute. Deployments in extremely cold or hot temperatures, or logging intervals faster than one minute, may significantly reduce battery life. Continuous logging at the fastest logging rate of one second will deplete the battery in as little as two weeks.

To replace the battery:

1. Remove the two screws that secure the end cap to the case and remove the cap.
2. Examine the desiccant pack that is tucked into the cap. If the desiccant is not bright blue, put the desiccant pack in a warm, dry place until the blue color is restored.
3. Gently tap the case to loosen the circuit board and remove it from the case.



4. Carefully push the battery out of the holder with a small, nonmetallic blunt instrument.
5. Insert a new battery, positive side facing up.
6. Return the circuit board and label to the case, carefully aligning the circuit board with the grooves in the case so that the battery faces the ridged side of the case.
7. Replace the end cap, ensuring that the desiccant pack is tucked into the cap, and the o-ring is seated in the groove, not pinched or twisted. Make sure no dirt or lint is trapped on the o-ring, as this could result in a leak.
8. Re-fasten the screws. Do not over-tighten the screws.

**⚠ WARNING:** Do not cut open, incinerate, heat above 85°C (185°F), or recharge the lithium battery. The battery may explode if the logger is exposed to extreme heat or conditions that could damage or destroy the battery case. Do not dispose of the logger or battery in fire. Do not expose the contents of the battery to water. Dispose of the battery according to local regulations for lithium batteries.